

FLEDS SERIES

12" & 14" SQUARE CEILING LUMINAIRE



Project:	
Type:	
Catalog #:	



FEATURES

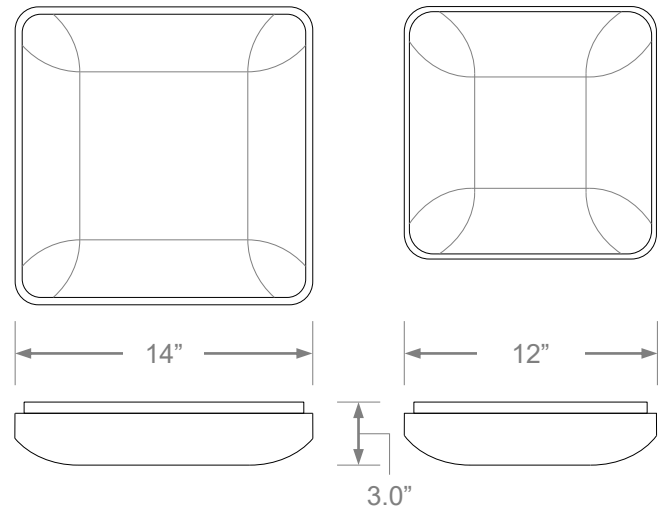
- Available in 3000k (warm white) and 4000k (neutral white) color temperatures.*
- Long-life LEDs provide up to 157,000 hours of operation with at least 70% of initial lumen output (L₇₀).**
- FLEDS provides a range of 1,100 to 1,500 nominal lumens and 73 to 75 lumens per watt (lm/W).*
- 120 AC voltage (60Hz) is standard.
- Triac dimming drivers are standard.
- Steel housing and PMMA lens.
- Power factor ≥ 0.90.
- Total harmonic distortion ≤ 20%.
- Color rendering index ≥ 80.
- Easy installation in new construction or retrofit.



WARRANTY & LISTINGS

- cETLus listed for damp locations in ambient temperatures from -20°C to 25°C (-4°F to 77°F).
- Complies with FCC Part 15, Class B.
- Complies with EN61000-4-5, surge immunity protection (0.5kV).
- 5-year warranty of all electronics and housing.

DIMENSIONS



Model	Size	Height	Weight
FLEDS12	12.0"	3.0"	2 lbs.
FLEDS14	14.0"	3.0"	2.5 lbs.

* Contact factory for other color temperatures and lumen packages.
 ** L₇₀ hours are IES TM-21-11 calculated hours.

ORDERING INFORMATION

Model	Color Temperature	
	FLEDS12	3K
FLEDS14	4K	4,000

ELECTRICAL DATA

Model	Color Temperature	CRI ¹	Luminaire Lumens	Luminaire Watts	Lumens Per Watt	Input Voltage	Input Current (A)			Power Factor	THD ²	L ₇₀ Hours ³
							120V	240V	277V			
FLEDS12-3K	3000k	> 80	1,100	15	73	120 (60Hz)	0.13	N/A	N/A	> 90%	< 20%	157,000
FLEDS12-4K	4000k	> 80	1,100	15	73	120 (60Hz)	0.13	N/A	N/A	> 90%	< 20%	157,000
FLEDS14-3K	3000k	> 80	1,500	20	75	120 (60Hz)	0.17	N/A	N/A	> 90%	< 20%	145,000
FLEDS14-4K	4000k	> 80	1,500	20	75	120 (60Hz)	0.17	N/A	N/A	> 90%	< 20%	145,000

¹ Color rendering index

² Total harmonic distortion

³ L₇₀ refers to the number of hours at which lumen output declines to 70% of the initial level. L₇₀ hours are IES TM-21-11 calculated hours.

PHOTOMETRIC DATA

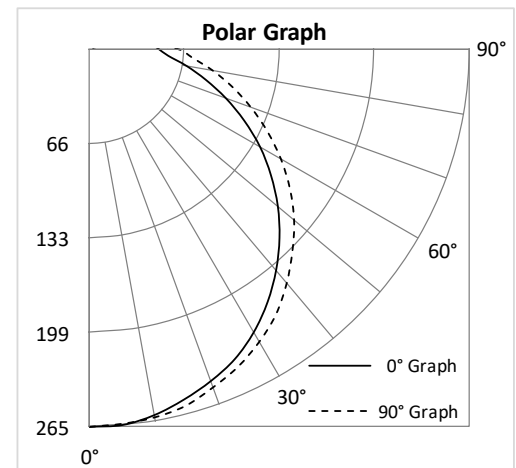
FLEDS12-3K

Luminaire Data

Description	12" Ceiling Luminaire 11L, 3K
Total Lumens	1,100
Input Wattage	15
Efficacy (lm/W)	75
Spacing Criterion (0-180°)	1.3
Spacing Criterion (90-270°)	1.34

Zonal Lumen Summary

Zone	Lumens	%Fixt
0-20°	95	8.6%
0-30°	204	18.5%
0-40°	341	31.0%
20-50°	396	36.0%
40-70°	429	39.0%
0-60°	638	58.0%
0-80°	876	79.6%
0-90°	955	86.8%
90-180°	145	13.2%
0-180°	1,100	100.0%



FLEDS14-3K

Luminaire Data

Description	14" Ceiling Luminaire 15L, 3K
Total Lumens	1,500
Input Wattage	20
Efficacy (lm/W)	76
Spacing Criterion (0-180°)	1.3
Spacing Criterion (90-270°)	1.32

Zonal Lumen Summary

Zone	Lumens	%Fixt
0-20°	138	9.2%
0-30°	296	19.7%
0-40°	493	32.9%
20-50°	569	37.9%
40-70°	600	40.0%
0-60°	914	60.9%
0-80°	1,229	81.9%
0-90°	1,322	88.1%
90-180°	178	11.9%
0-180°	1,500	100.0%

